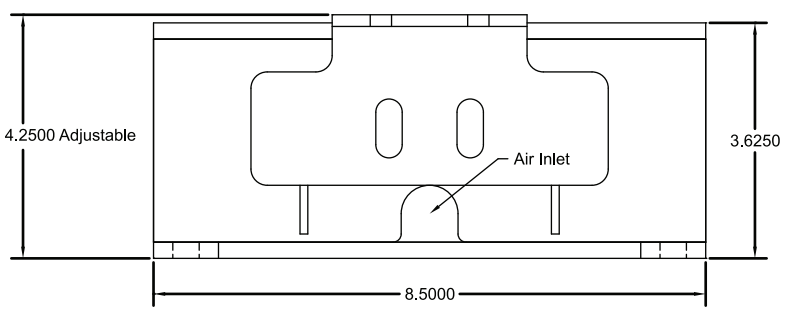
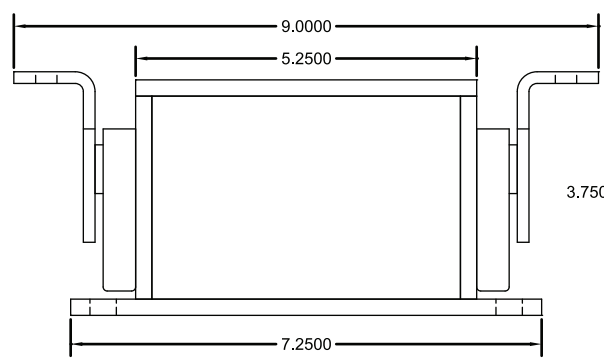
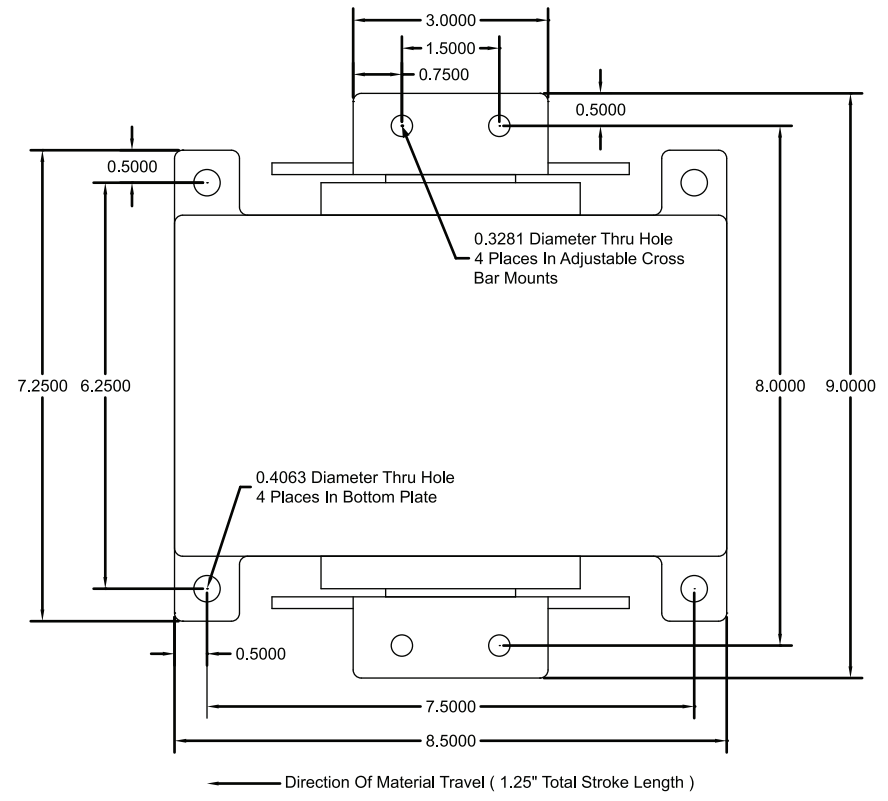


Operating Pressure	0-80 PSI
Air Consumption	0.36 CFM @ 120 Cycle/Minute
Air Requirements	Dry Filtered Air
Operating Temperature	0-120 Degree Fahrenheit
Push Force	150 LB @ 80 PSI
Stroke Length	1.25"
Conveying Speed	12.50 Feet/Minute Average
Tray Weight Capacity	37.50 LB
Material Weight Capacity	75 LB
Cross Bar Length	30" Maximum Centered
Drive Height	3.75"
Drive Width	9.00"
Drive Length	8.50"
Drive Weight	23 LB



**Pneumatic Innovations LLC**  
 Shuttle Pro-150 Compact Pneumatic Conveyor Drive  
 General Information Drawing