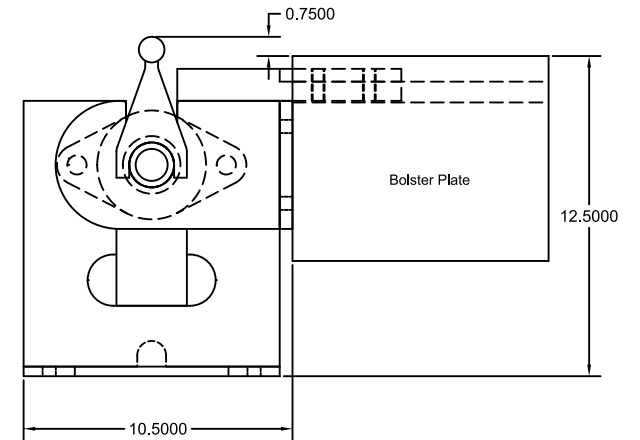
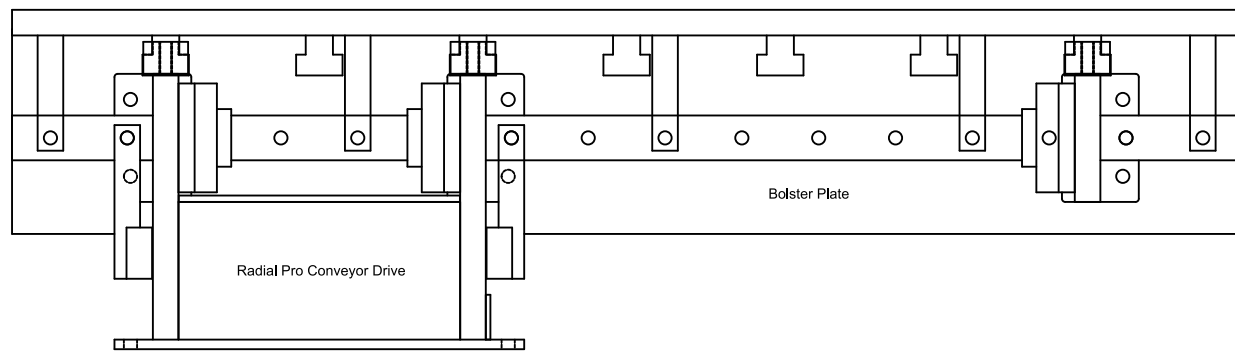


12.0000" Maximum Allowable Distance Between Pivot Rack Support Assembly And End Of Bolster Without Use Of Additional Pivot Rack Support Assembly



Pneumatic Innovations LLC

Radial Pro Conveyor System
T-Slot Mounting Dimensional Information